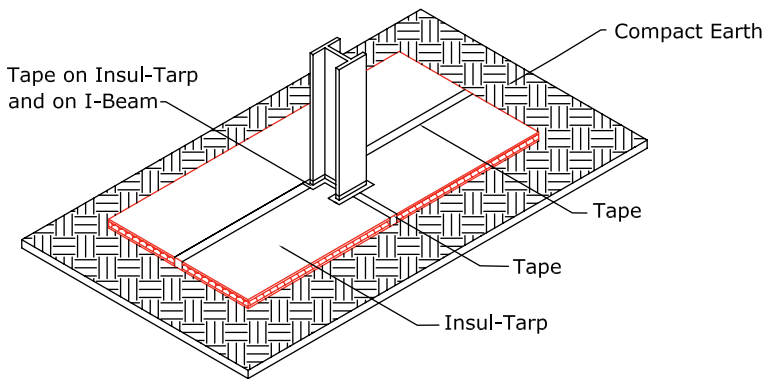




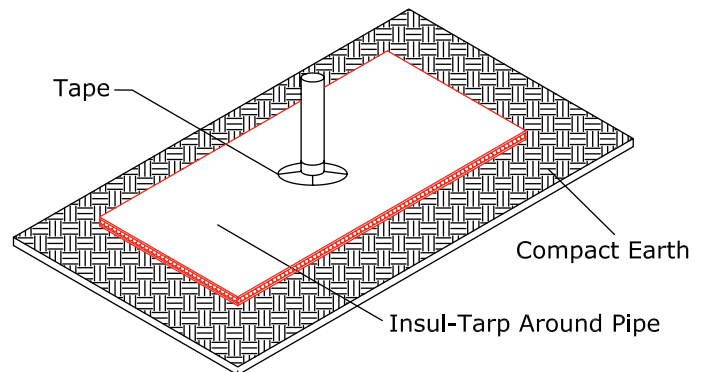
INSUL-TARP®

Installation Drawings

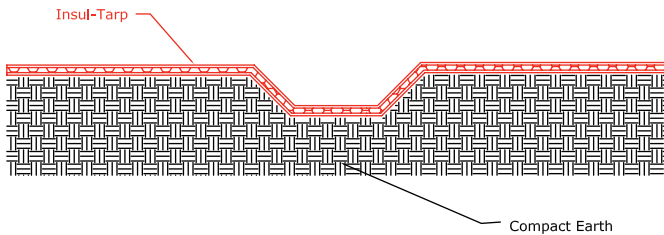
Insul-Tarp Cut and Taped Around I-Beam



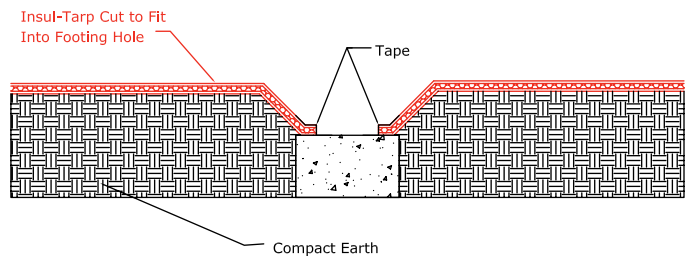
Insul-Tarp Cut and Taped Around Pipe



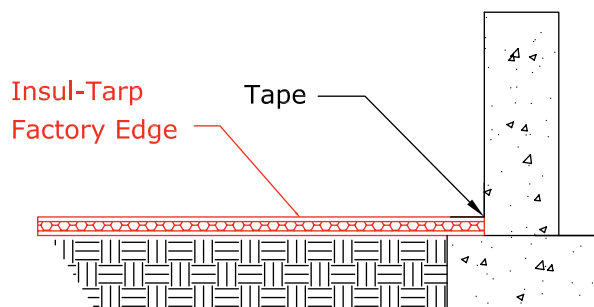
Depressed Footing Detail 1



Depressed Footing Detail 2



Foundation Wall Taping Detail



Overlap Taping Details

